



The Blueline series of credential readers combines proven technologies of the past with the emerging technologies of today. Through one product line a customer can maximize the benefits of Mifare, Desfire, Fingerprint, OSDP, Ultra-High Secure Credentials (UHSC), NFC, and Bluetooth to create a customizable security solution that's right for their infrastructure. Blueline is an ergonomically esthetically pleasing design that fits all solutions from the smallest user to the largest corporations.

RBH-N86 and NK-86 is a true multi-technology reader capable of reading.

- All credential complying to ISO-14443 A and B
- NFC
- Bluetooth
- Fingerprint
- UHSC virtual credentials

Readers reads Hi Security Mifare, Desfire EV1 & EV2 with 3DES or AES for transmission of data between card and reader and Supports ISO/IEC-1444A and ISO/IEC-7816-4.

Self Diagnostics

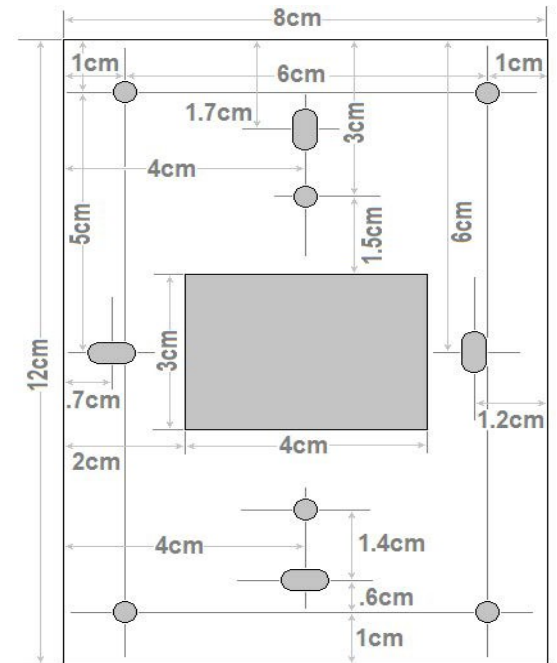
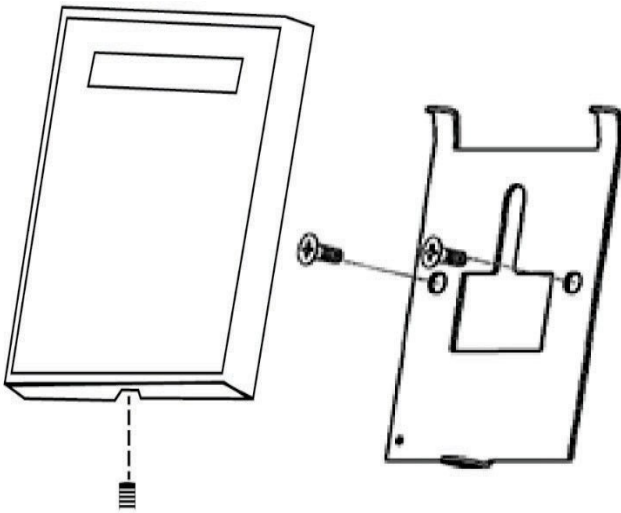
When the reader is switched on it does self test for all features in case of fault it will not power up or will give continuous beep. When OSDP wires are not connected to controller properly reader LED will blinking.

Note:- Make sure tamper detection is properly placed to avoid alarm.

Specifications

Model No.	N86	NK86
Type	Reader	Reader/Keypad
Technology	Mifare/Desfire / Bluetooth / NFC	
Frequency	13.56MHz	
Housing	ABS	
Voltage	DC 9-15V	
Current Draw	80mA @ 12Vdc	
Read Range	Wiegand – up to 7cm (<i>dependent on credential</i>) Apps – up to 12m	
Communications	Wiegand, OSDP (<i>ver. 1 & 2</i>)	
Tamper	Audio tone on backplate removal. (<i>message on OSDP only</i>)	
Operating Temp.	-22°F to 158°F (-30°C to +70°C)	
Audio Tone	Built-in Piezo sounder	
Visual	Tri-colour LED	
Warranty	Limited lifetime warranty	
Rating	IP-68	
Certification	BIS, FCC & CE	

Mounting: Surface (two anchored screws)



Cabling:

Wiegand – 500' (152m) max, 18-22AWG, 6-8 conductor shielded and stranded cable.

OSDP - 2,000' (610m) max, 18-22AWG, twisted stranded shielded pair. (RS-485)

Wiring for Wiegand:-

- Red: 9-12Vdc
- Black: Gnd
- White: WD1
- Green: WD0
- Blue: LED
- Yellow: Buzzer

Wiring for OSDP:-

- Red: 9-12Vdc
- Black: Gnd
- Brown: RS485+
- Orange: RS485-
- Blue: LED
- Yellow: Buzzer